

4, 5 and 8-Wire eurofast® Field Wireable Connectors, Standard and Reverse Key

- Straight Male Connectors
- IEC IP 67 Protection



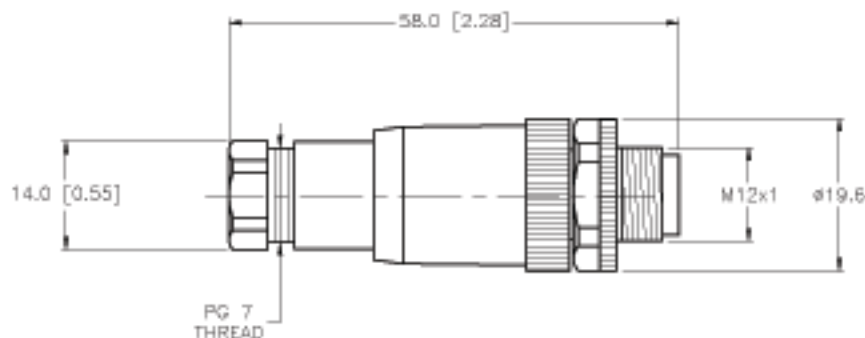
Drawing	Part Number	Housing Specs.	Application	Pinout
	BS 8141-0	PBT, Black PG 7 cable gland accepts 4-6 mm cable diameter Screw terminals accepts up to 18 AWG conductors 85°C 250 V, 4 A	Mates with standard key 4-pin cordsets and receptacles	
	BS 8141-0/PG 9	PBT, Black PG 9 cable gland accepts 6-8 mm cable diameter Screw terminals 85°C 250 V, 4 A	Mates with standard key 4-pin cordsets and receptacles	
	BS 8151-0/PG 9	PBT, Black PG 9 cable gland, accepts 4-8 mm cable diameter Screw terminals accepts up to 18 AWG conductors 85°C 125 V, 4 A	Mates with standard key 5-pin cordsets and receptacles	
	BS 8157-0/PG 9	PBT, Black PG 9 cable gland, accepts 6-8 mm cable diameter Spring clamp accepts up to 20 AWG conductors 85°C 125 V, 4 A	Mates with standard key 5-pin cordsets and receptacles, spring clamp	
	BSWS 8141-0	PBT, Black PG 9 cable gland accepts 4-8 mm cable diameter Screw terminals accepts up to 18 AWG conductors 85°C 250 V, 4 A	Mates with reverse key 4-pin cordsets and receptacles	
	BSWS 8151-0	PBT, Black PG 9 cable gland accepts 4-8 mm cable diameter Screw terminals accepts up to 18 AWG conductors 85°C 125 V, 4 A	Mates with reverse key 5-pin cordsets and receptacles	
	BS 8181-0	Nylon, Black PG 9 cable gland accepts 4-8 mm cable diameter Screw terminals accepts up to 18 AWG conductors 85°C 60 VAC/75 VDC, 2 A	Mates with standard key 8-pin cordsets and receptacles	

MALE END VIEW



SPECIFICATIONS

HOUSING MATERIAL/PLATING	PBT/BLACK
CONTACT MATERIAL/PLATING	NICKEL-PLATED BRASS
COUPLING NUT MATERIAL/PLATING	NICKEL-PLATED BRASS
RATED CURRENT [A]	3.0 A
RATED VOLTAGE [V]	125 V
MAXIMUM WIRE SIZE	18 AWG
CABLE GRIP RANGE	4-6mm
TEMPERATURE RATING	-40°C to +85°C (-40°F to +185°F)
PROTECTION CLASS	EC IP67
SPACINGS	TO VDE 0110 GROUP C



SOURCE DRAWING - FOR REFERENCE ONLY

RELATED DOCUMENTS		3RD ANGLE PROJECTION	THIS DRAWING IS PROPERTY OF TURCK INC. USE OF THIS DOCUMENT WITHOUT WRITTEN PERMISSION IS PROHIBITED.		<b>TURCK INC</b> High Technology Sensors and Automation Controls
1.	2.		DRAFT	JMS	
3.	4.		DATE	10/09/95	DESCRIPTION
MATERIAL		TOLERANCES UNLESS OTHERWISE SPECIFIED	DESCRIPTION	SCALE	BS 8141-0
SEE SPECIFICATIONS		0.5 TO 6 ±0.1 6 TO 30 ±0.2 30 TO 200 ±0.3 OVER 200 ±0.4 ANGLES ±1°	UNIT OF MEASUREMENT	SCALE	1 = 1.0
FINISH		ALL INCH DIMENSIONS ARE REFERENCE ONLY	MILLIMETER [ INCH ]		IDENTIFICATION NO.
SEE SPECIFICATIONS		DO NOT SCALE THIS DRAWING	U6550		REV
D SUPPLIER CHANGED NUT, UPDATED VIEW, SEE ECO		RWC	09/13/06	16096	D
REV	DESCRIPTION	BY	DATE	ECO NO.	FILE: U6550
					SHEET 1 OF 1